



HAI0136

136" LED ALL-IN-ONE DISPLAY

Create the ultimate immersive AV experience for your boardroom with the Hisense All-In-One LED display. Equipped with Hisense's unique ASIC picture quality solution for precision dimming it controls each LED pixel to accurately express brightness and chromaticity information. Delivering vivid detail and unrivalled colour depth, the All-in-one 136" LED display will provide finishing touch to any quality meeting space.

Highlights



Smart Display

Automatically adjust the brightness of the LED all-in-one screen according to the environment. Automatic all-round monitoring of the screen status. Up to three intelligent screen casting methods.



AI Picture Quality Solution

The display adapts in real time to achieve the best picture parameters based on intelligent recognition of the screen content. The display controls each LED pixel to accurately express brightness and chromaticity information, significantly improving the brightness and contrast of the large screen.



Super Energy Saving

Super energy saving standby design, no signal standby power consumption <math><0.5W</math>. The energy-saving design can save more than 20% compared with conventional products in the industry under same working condition.



Stereo Surround Sound

Equipped with 60W built in speakers, Dolby & DTS audio dual decoding, impactful bass and crisp treble to create a truly immersive stereo surround sound.



Quick Installation & Easy Maintenance

Complete installation within 1.5 hours for 2 persons with a fully automated configuration setup. Full front installation and maintenance helps to minimise installation space.

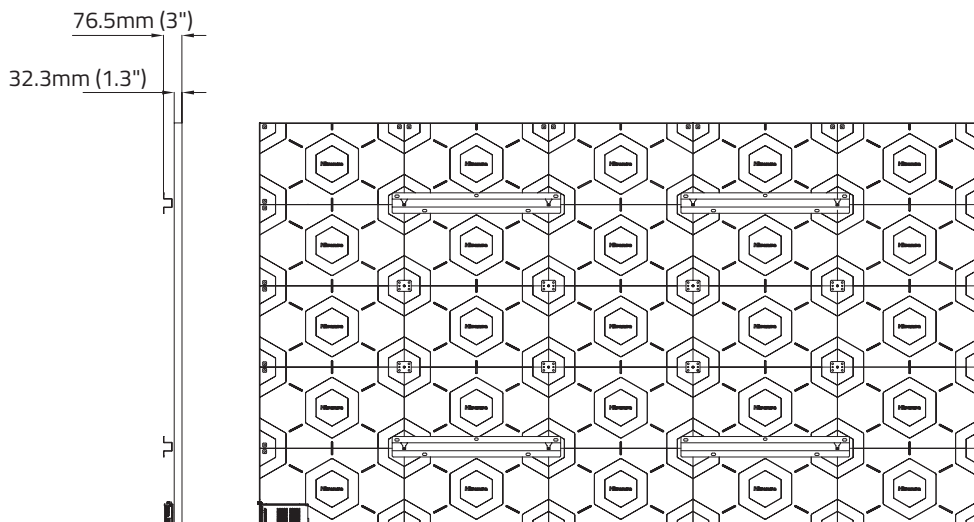
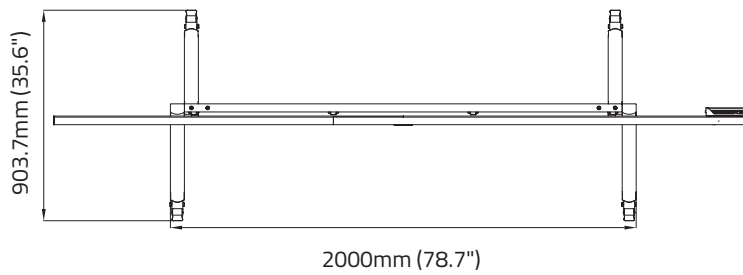
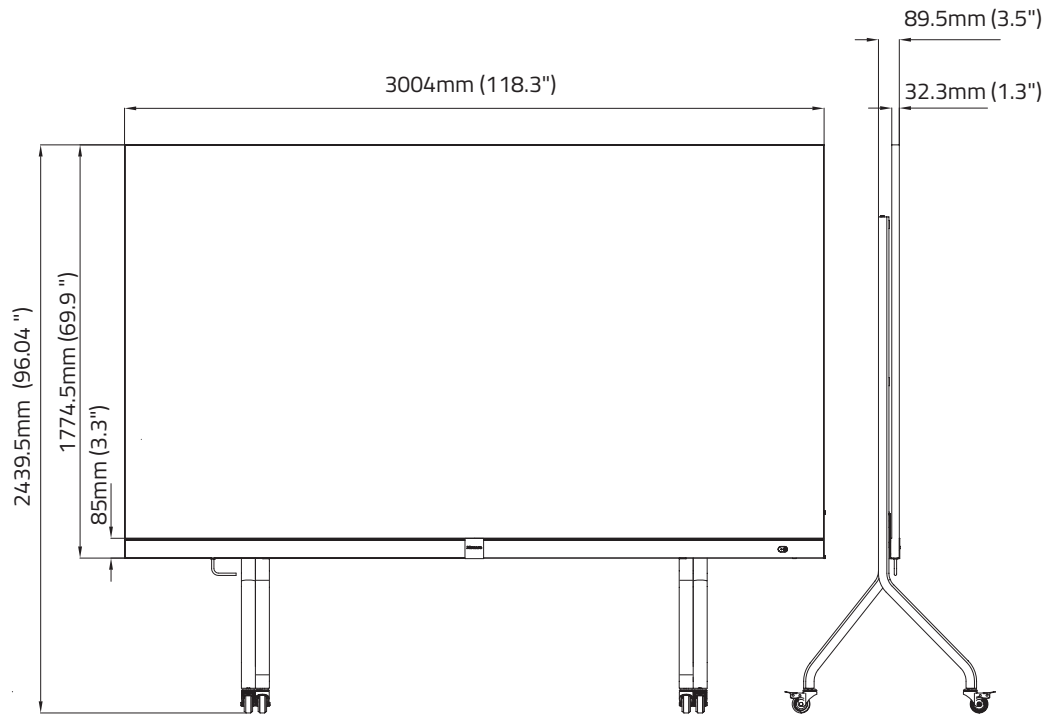


Simple Precise Design

Industrial aesthetic minimalist integrated design. The thinnest lightweight body at only 27.8mm means occupying less space for the display. An ultra-narrow bezel, 95% screen ratio and elegant design of wall bracket and mobile cart.



Display Dimensions



Specifications

Physical Parameter

Pixel Pitch	1.5625 mm
Pixel Configuration	3 in one SMD
Screen Resolution (W x H)	1920x1080
Module Dimensions (W x H)	150x337.5mm (5.9x13.3 Inch)
No. of Modules Per Screen (W x H)	20 x 5 (Total 100 Pcs LED Modules)
Screen Dimensions (W x H x D)	3004x1774.5x32.3mm - with Screen Frame (118.3x69.9x1.27 Inch - with Screen Frame)
Cabinet Dimensions (W x H x D)	600x337.5x29.3mm (23.6x13.3x1.15 Inch)
Weight (per Cabinet/per Screen)	4Kg / 110Kg (8.82 lbs/ 242.55 lbs)
Pixel Density	409,600 pixels/m ²
Flatness Of Cabinet	± 0.05 mm
Cabinet Material	Die-cast Aluminum
Gray Level	14 bits
Aspect Ratio	16:9
Service Access	Front

Electrical Parameter

Power Supply Voltage	100 - 240 V, 50/60Hz
Average Power Consumption (W/ Screen)	≤ 800W
Max Power Consumption (W/ Screen)	≤ 1800W
Refresh Rate	3,840 Hz

Operation Conditions

Operating Temp/Humidity	0 - 40 °C/ 10% - 90%RH (no frost)
Storage Temp/Humidity	-20 - 40 °C/ 10% - 65%RH (no frost)
IP Rating	IP50
Expected LED Lifetime (typ)	100,000 Hrs

Speaker

Built-in	10Wx6
External	3.5-mm AUDIO external sound system connector (prior to the built-in sound system connector)

Certification

Standard Certification	CE, CB, FCC, RCM, CTUVus
Environment	RoHS, REACH

Specification subject to change without further notice.

System

OS	Android 9.0
CPU	CA73*4 1.3GHz
GPU	G52 MC1
DDR	3GB
ROM	64GB
Language	Chinese/English(Default)/ French, German, Spanish, Italian, Polish, Arabic
Features	HDR/EMMC/Low blue light/Dolby/DTS

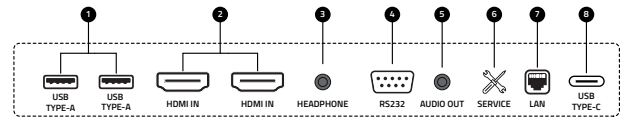
Optical Parameter

Brightness	100-600 Nits Adjustable
Contrast Ratio	5,000 : 1
Visual Viewing Angle (H x V)	150° x 140°
Brightness Uniformity	95%
Color Uniformity	± 0.003 Cx,Cy
Processing Depth	16 bits
Color Temperature - Default (Adjustable)	9300 K (2,000 ~ 9,300 K)

Controller

Embedded

Connectivity



AZZA SALES (THAILAND) CO., LTD.

5 Borommaratchachonnani 81, Chimplee, Taling Chan, Bangkok 10170
 Identification Number : 0105565036975
 Tel. 099-151-5951 (Bell)
 info@azzasales.com

Agent :